

# Anthropomorphic Thorax Phantom

**The Thorax Phantom is suitable to use as an anthropomorphic surrounding for several standard imaging inserts for investigation of the influence of scan parameters in CT.**

QRM-Thorax comprises artificial lung lobes, a spine insert, and shell of soft tissue equivalent material.

The plastics used in this antropomorphic phantom mimic human tissues in the thorax with respect to density and X-ray attenuation characteristics of a human thorax.

It consists of a standard bore hole with diameter of 100 mm. Multiple standard cylinders for image quality purposes are available. Please have a look at the product section: Image Quality and Dose at [www.qrm.de](http://www.qrm.de).

The QRM-Thorax is also available with drilled holes according to CTDI-specifications for dosimetry purpose.

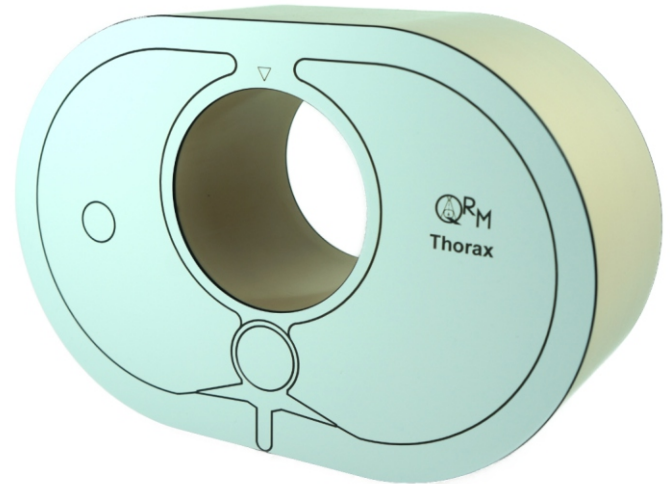
## Specifications

Phantom weight (total) ..... 2740 g  
 Dimensions ..... 200 x 300 mm  
 Diameter of bore hole ..... 100 mm  
 Height of phantom ..... 100 mm

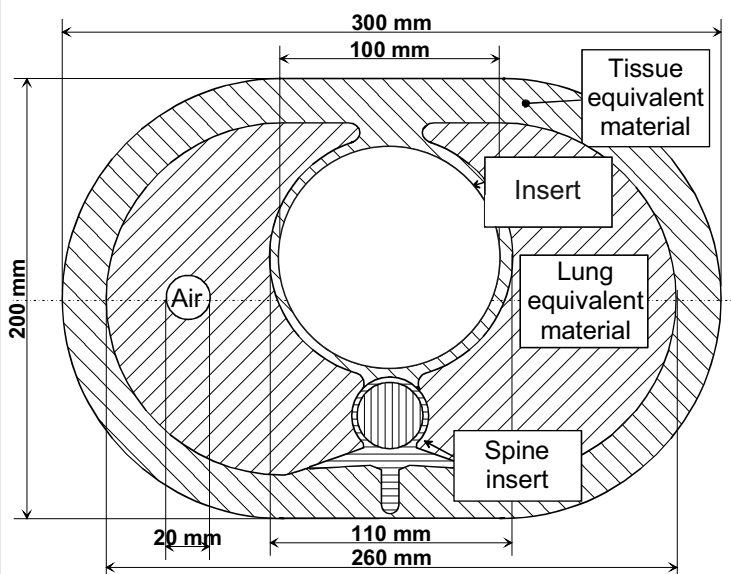
Base material ..... tissue equivalent resin  
 (@ 120 kV)

Lung ..... app. -800 HU  
 Spine ..... bone like (corticalis / spongiosa)

Extension Rings (e.g. Fat Rings) are available upon request!



QRM-Thorax



Sketch of the complete Anthropomorphic QRM-Thorax. The depth of the phantom is 100 mm.